

**Miele**

## 24" Whole Bean Coffee System

CVA 6401, CVA 6800



Shown: CVA 6800 over ESW 6214  
Please note: This information is subject to change

[mieleusa.com](http://mieleusa.com)  
Specification Sheet TRS 04232020

## 24" Whole Bean Coffee System

SPECIFICATIONS	
Overall Unit Dimensions - Excluding Fascia Dimension	21 <sup>7</sup> / <sub>16</sub> " (545 mm) W x 17 <sup>1</sup> / <sub>2</sub> " (445 mm) H x 18 <sup>1</sup> / <sub>8</sub> " (496 mm) D
Overall Fascia Dimensions	23 <sup>7</sup> / <sub>16</sub> " (595 mm) W x 17 <sup>15</sup> / <sub>16</sub> " (455.5 mm) H x 1 <sup>3</sup> / <sub>16</sub> " (22 mm) D
Door Depth When Open	23 <sup>7</sup> / <sub>16</sub> " (594 mm)
<b>Built-In</b>	
Minimum Cabinet Opening Dimensions	22 <sup>1</sup> / <sub>16</sub> " (560 mm)W x 17 <sup>11</sup> / <sub>16</sub> " (450 mm) H x 21 <sup>5</sup> / <sub>8</sub> " (550 mm) D
Minimum Base Support	62 lbs
Additional Cut-outs Required	Venting: 19 <sup>11</sup> / <sub>16</sub> " (500 mm) x 1 <sup>9</sup> / <sub>16</sub> " (40 mm) or 31" in <sup>2</sup> (200 cm <sup>2</sup> )
<b>Electrical</b>	
Electrical Requirements	120V, 60Hz, 15A
Power Cord	Molded NEMA 5-15A plug, 6 ft (1.8 m)
<b>Shipping</b>	
Shipping Weight	66 lbs (29.94 kg)
Shipping Dimensions	23 <sup>5</sup> / <sub>8</sub> " (600 mm) W x 22 <sup>1</sup> / <sub>16</sub> " (560 mm) H x 26" (660 mm) L
<b>Support</b>	
Call Miele	(800) 999-1360
Miele Website	<a href="http://www.mieleusa.com">www.mieleusa.com</a>
20/20 Link	<a href="http://2020technologies.com">2020technologies.com</a>



CVA 6401  
Material# 9676900



CVA 6401 BRWS  
Material# 9869070



CVA 6401 OBSW  
Material# 9869050

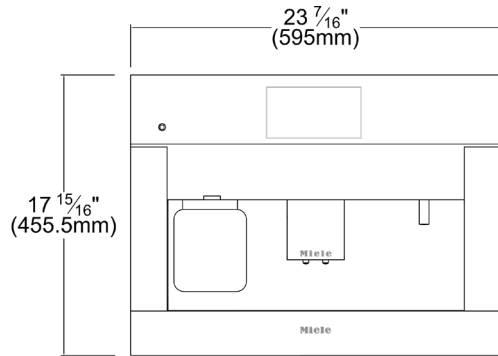


CVA 6800  
Material# 9676920

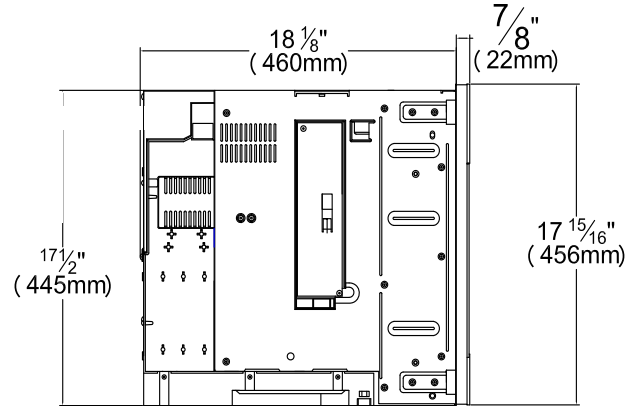
## 24" Whole Bean Coffee System

### INSTALLATION SPECIFICATIONS

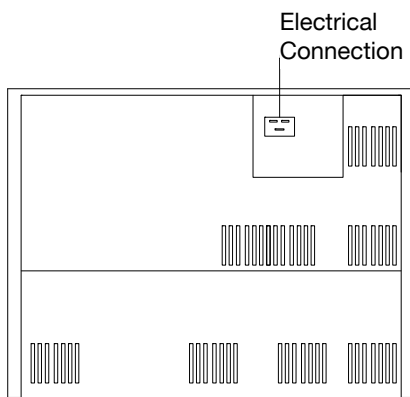
Front View



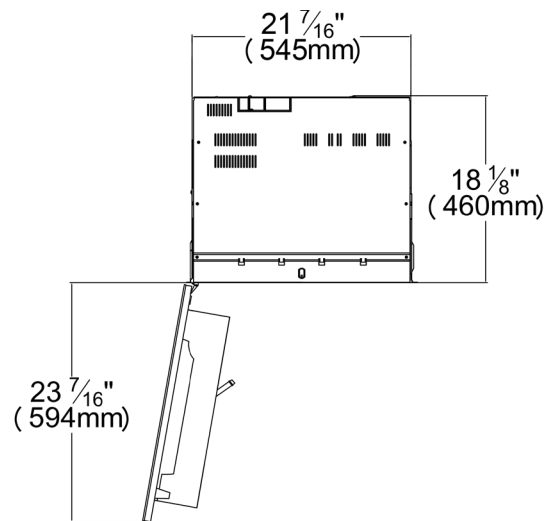
Side View



Rear View



Top View, Door Open

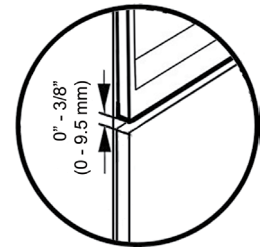
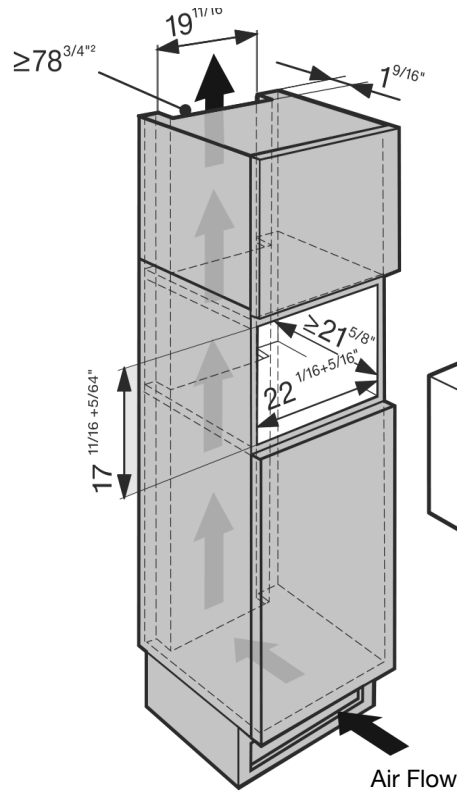




## 24" Whole Bean Coffee System

### INSTALLATION SPECIFICATIONS

#### Solo Installation



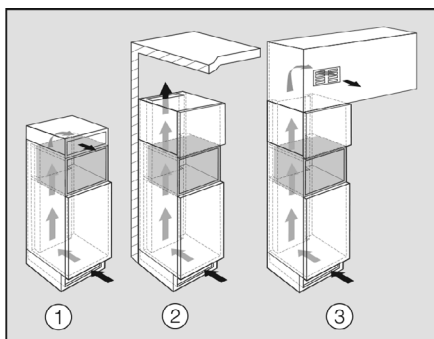
Lower gap adjustment detail when solo installed.  
(Adjusted by feet of CVA unit.)

### VENTILATION REQUIREMENTS

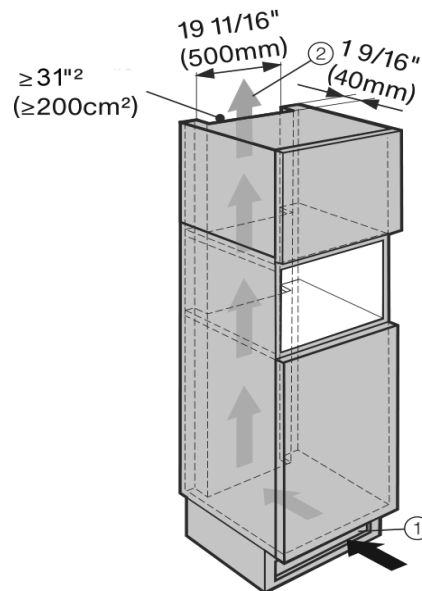
#### PLEASE NOTE:

Condensation water can damage the coffee system or surrounding cabinets. The specified ventilation cross-sections absolutely must be observed.

#### VENTILATION OPTIONS:



- ① Directly above the coffee system with a ventilation grille (free airflow of at least 31 square inches / 200 cm<sup>2</sup>)
- ② Between the surrounding cabinets and the ceiling
- ③ Through a suspended ceiling

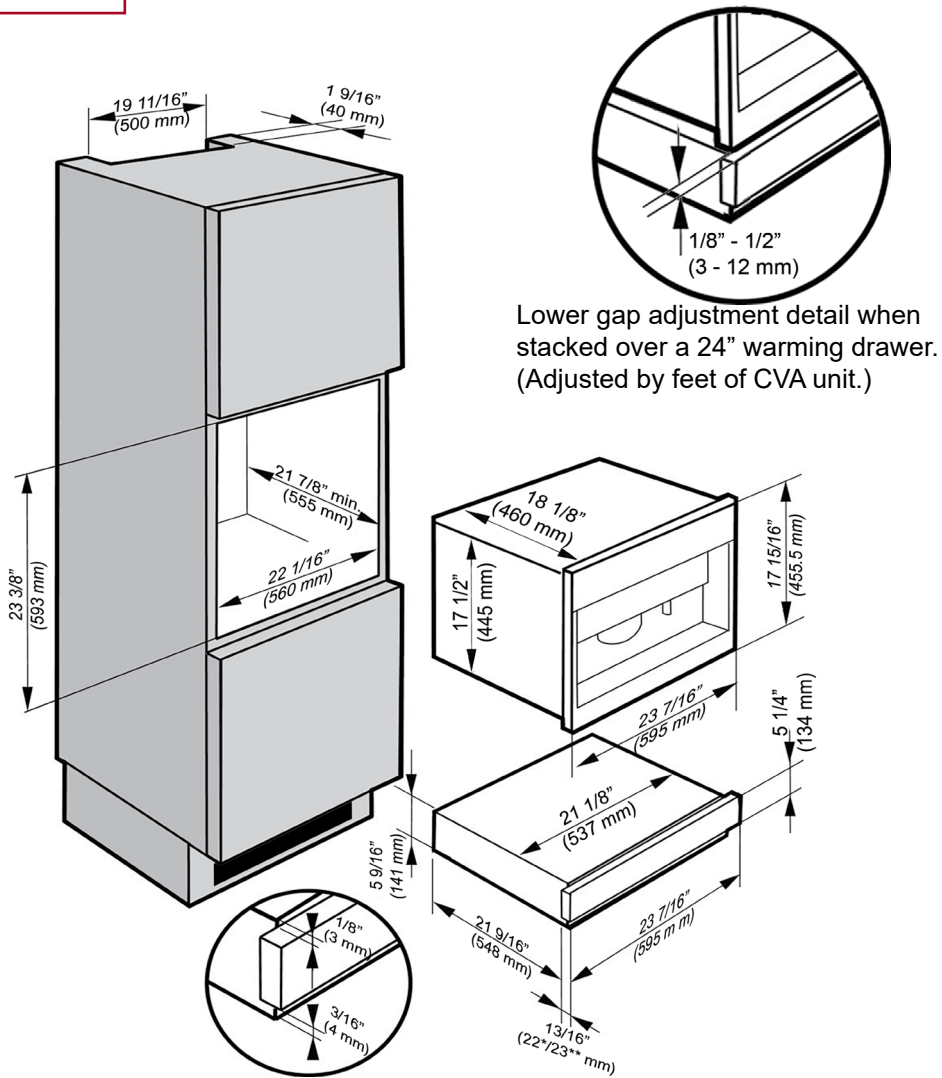


Air intake ① occurs via the plinth at the bottom of the appliance and the air escapes at the top ② at the rear of the surrounding cabinets.

## 24" Whole Bean Coffee System

### INSTALLATION SPECIFICATIONS With Warming Drawer (ESW 6x14)

**PLEASE NOTE:** Condensation water can damage the coffee system or surrounding cabinets. The specified ventilation cross-sections absolutely must be observed.



Lower gap adjustment detail when stacked over a 24" warming drawer. (Adjusted by feet of CVA unit.)